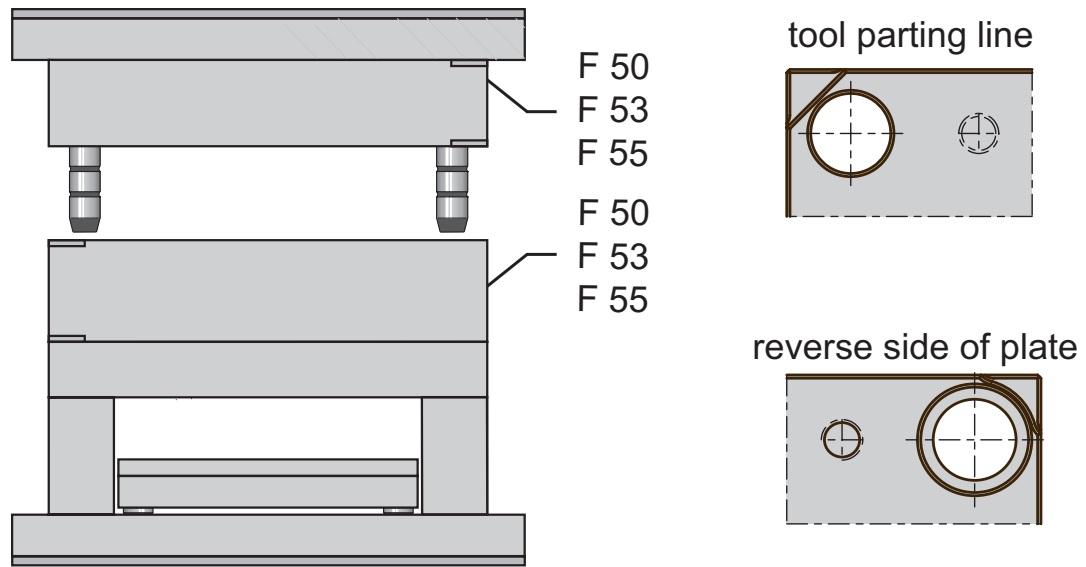
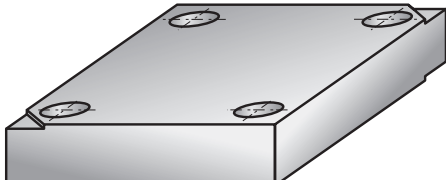
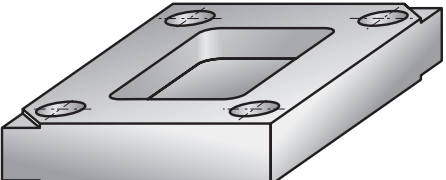
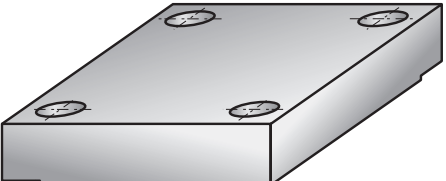
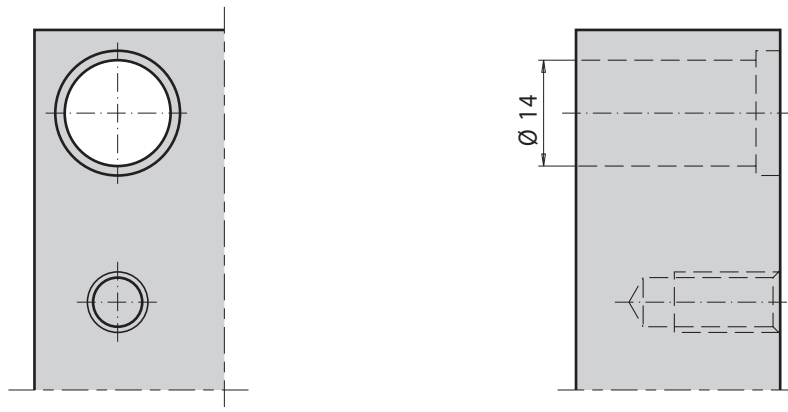


F-Plates with lever slots

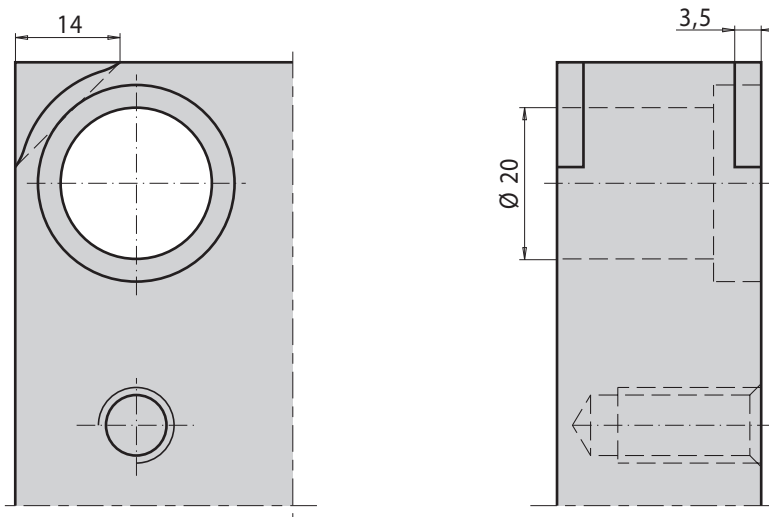


desc.	representation	remark		
		d1		
		Ø 14	Ø 20, 26	Ø 30, 42, 54
F 50 F050		-	2x at tool parting line 2x at reverse side diagonal	2x at tool parting line diagonal 4x at reverse side
		-	also with special thickness	also with special thickness
F 53		-	2x at tool parting line 2x at reverse side diagonal	2x at tool parting line diagonal 4x at reverse side
		-	also with special thickness, special pocket	also with special thickness, special pocket
F 55 F055		-	2x at reverse side diagonal	4x at reverse side
		-	also with special thickness	also with special thickness

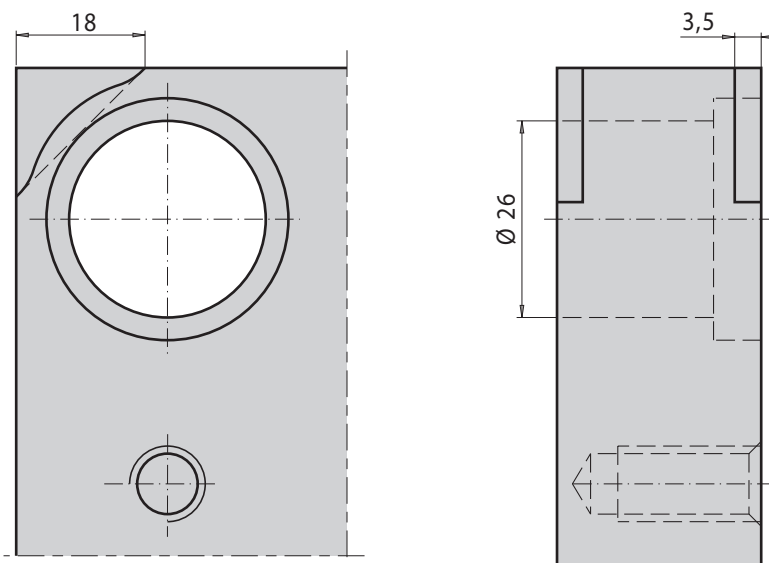
Ø 14 / M 8



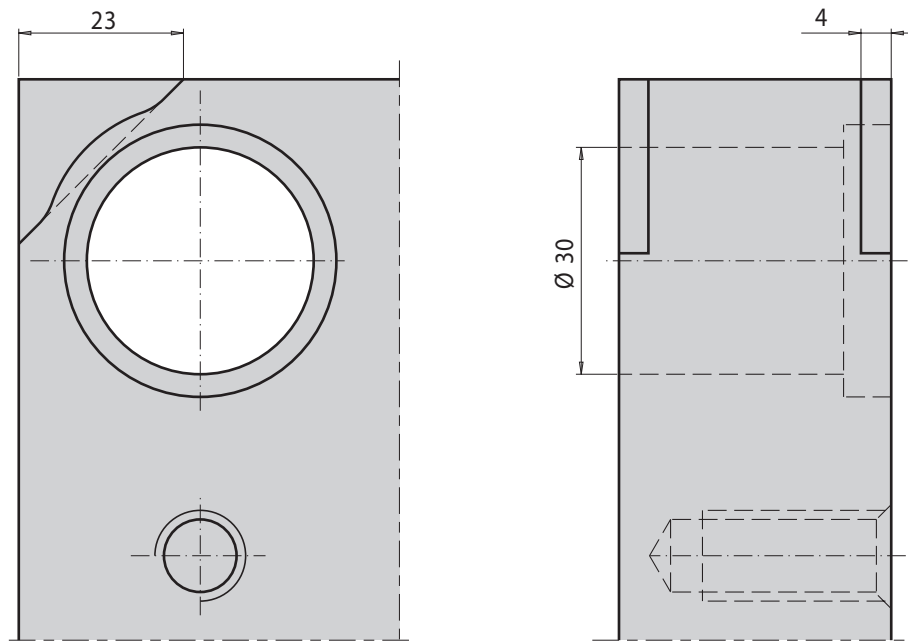
Ø 20 / M 10



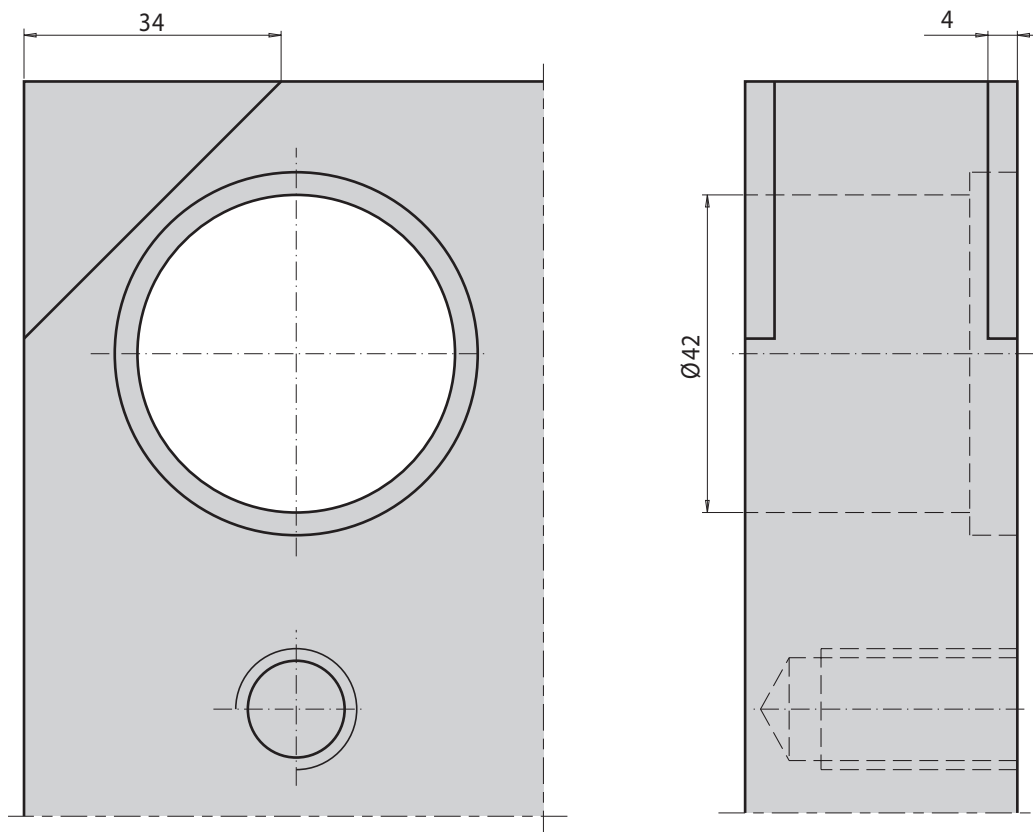
Ø 26 / M 10



Ø 30 / M 12



Ø 42 / M 16



Ø 54 / M 20

