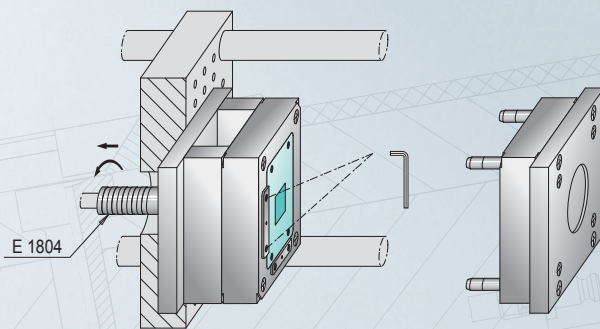
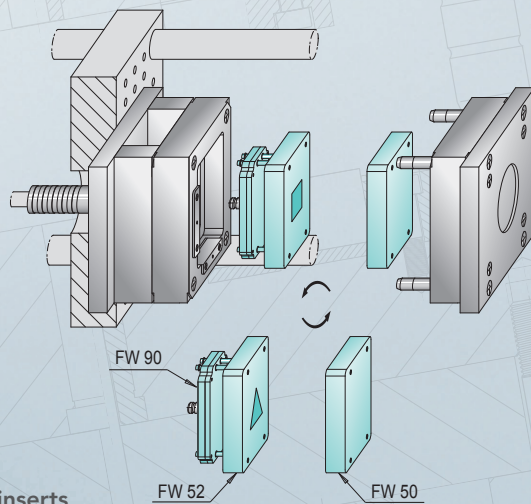


## Change moulds simple and precise.

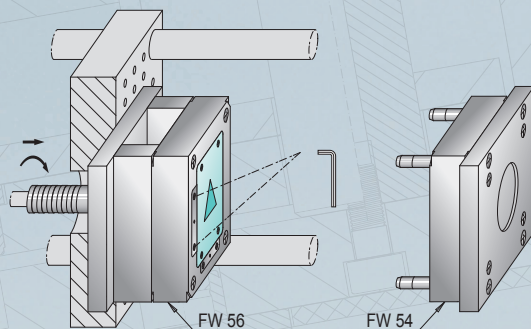
- » Making of prototypes and small series in a very short time
- » Change the mould inserts with the ejector set, the mould remaining on the injection moulding machine
- » Change moulds with ready-to-use mould inserts are supplied as modular assembly systems



1. Uncouple the ejector set and remove the inserts

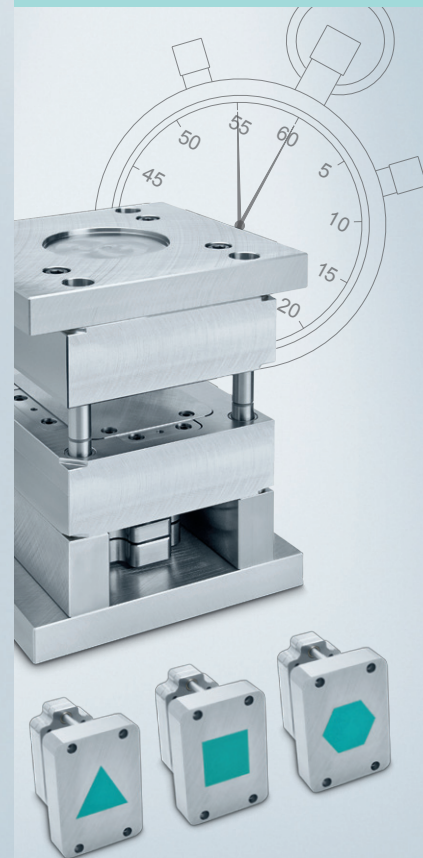


2. Change the inserts



3. Fasten the inserts and couple the ejector set to the machine

Our company is the leading manufacturer in the field of standard parts. More than 8,000 prestigious customers all over the world currently benefit from our excellent service and our many years of experience in manufacturing high-quality standard parts.



meusburger.com

Meusburger Georg GmbH & Co KG  
Standard moulds  
A-6960 Wolfurt, Kesselstr. 42

T 00 43 (0) 55 74 / 67 06-0  
F 00 43 (0) 55 74 / 67 06-11

sales@meusburger.com  
www.meusburger.com

Stress relieved standard parts for tool and mould making  
High stock availability