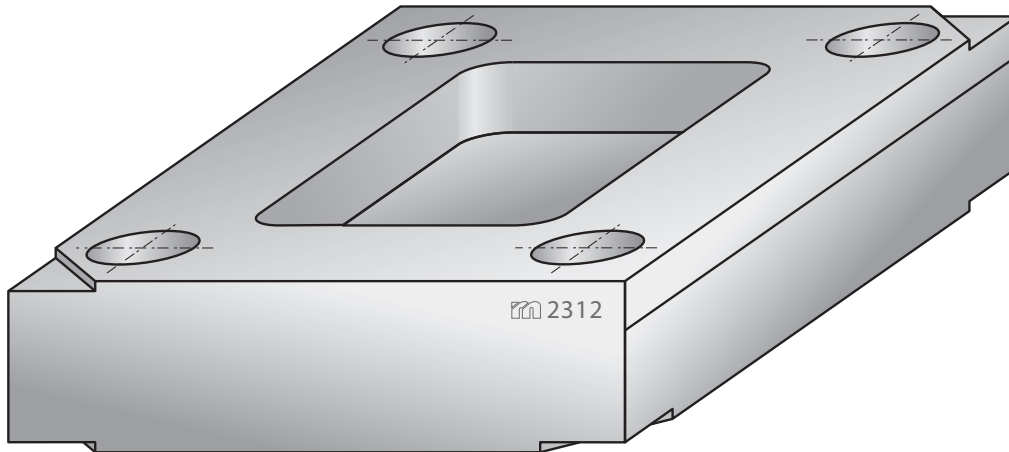


Cavity plate

Cavity plates with milled pocket (F 53) including 2 alignment edges.



Fitting inserts with cleared radius (E26..)

